

NAUTIZ X3

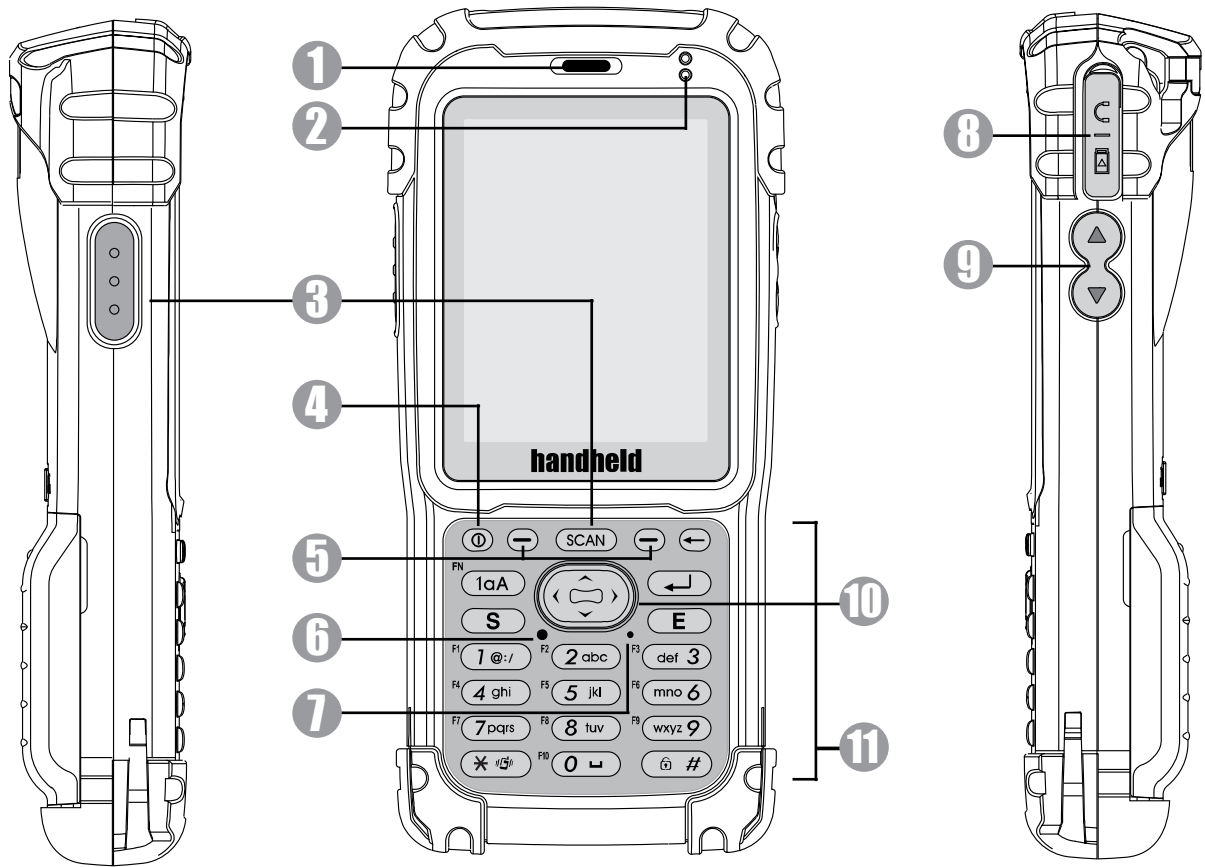
Quick Start Guide



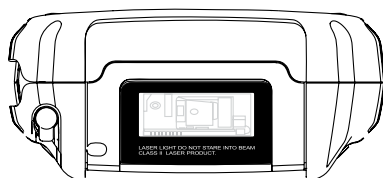
handheld

Getting Started

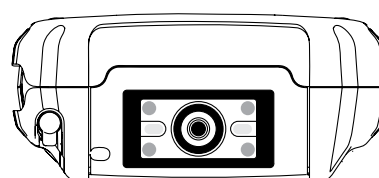
Left Side, Front Side, Right Side



Ref	Component	Ref	Component
1	Receiver	7	Microphone
2	Indicate LED	8	20Pin Universal Connector
3	Scan Keys	9	Volume Keys
4	Power button	10	Direction Key
5	Windows Mobile Function Keys	11	(←) Backspace, (1A/FN)key (keypad function change)
6	Reset button		S(Send), E(End) Key, (↵) Enter key numeric Keys



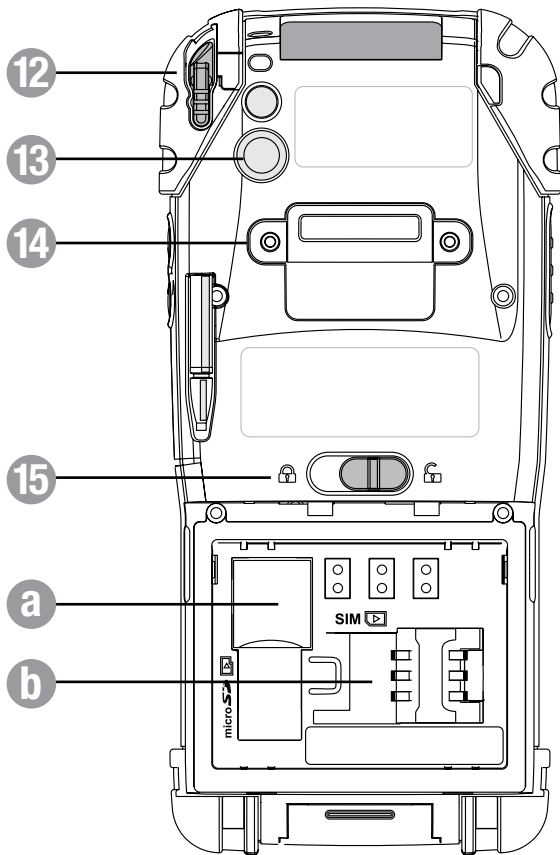
Laser Scanner



Imager Scanner

Getting Started

Rear Side



Ref	Component
12	Stylus pen and holder
13	Camera and Camera flash
a	Micro SD card Slot
14	Hand strap holder
15	Battery latch
b	U-SIM Card Slot

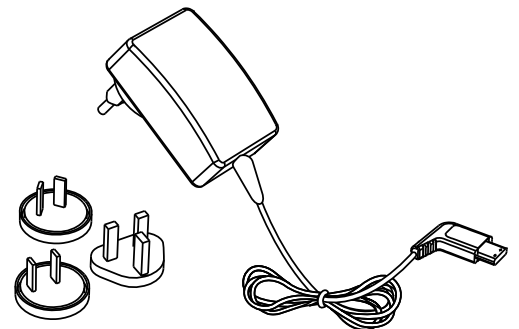
Unpacking the product



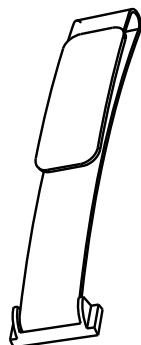
Main unit of PDA



Li-ion polymer battery



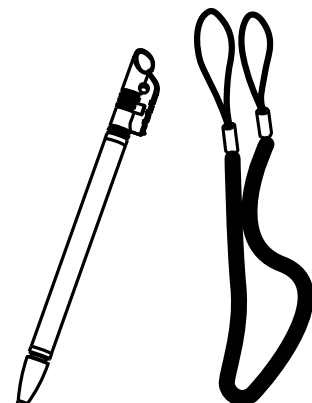
Travel Charger



Hand strap



Data sync cable

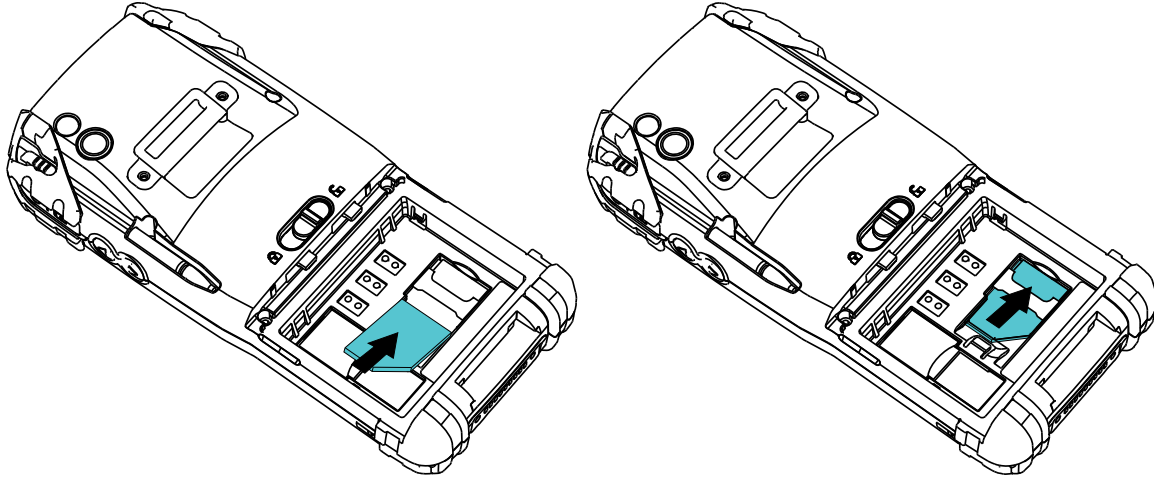


Stylus and its string

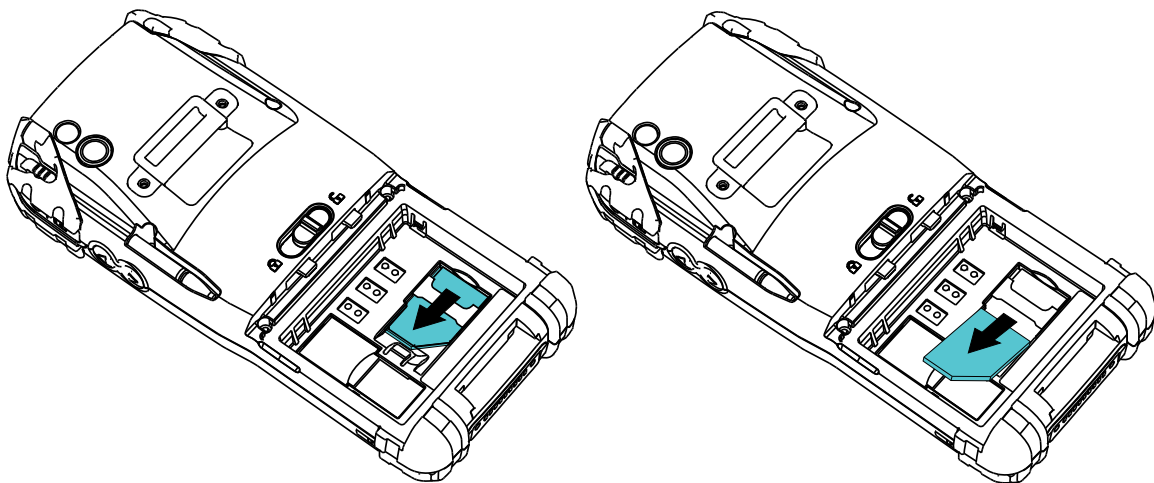
Installing the SIM card

Please refer to the manual provided by your service provider for further information on SIM card.

Installing a SIM card.



Removing a SIM card.

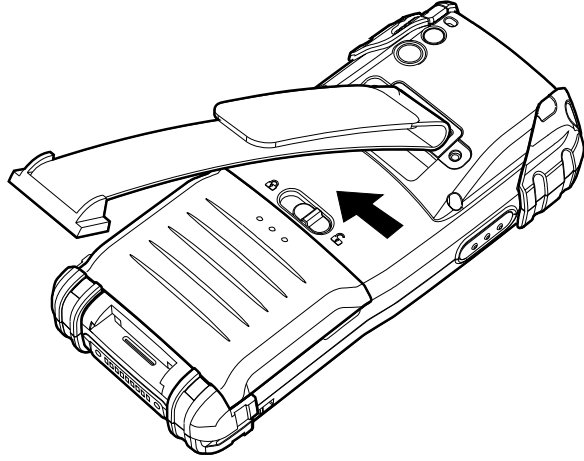
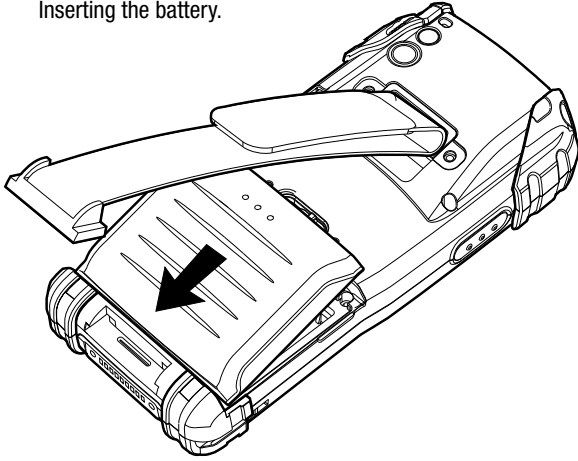


Installing the main battery

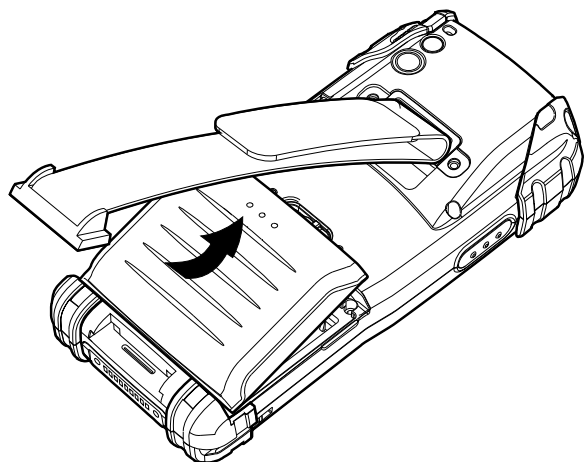
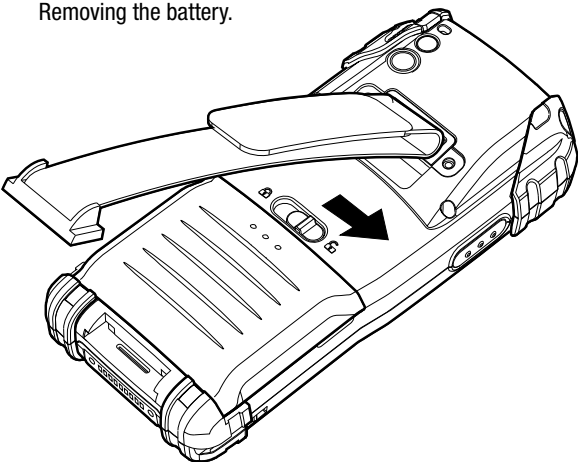


NOTE: One battery is included with the product. You can buy an extra battery separately.

Inserting the battery.



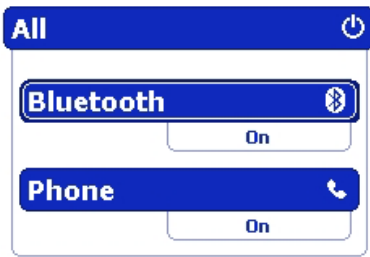
Removing the battery.



Caution: Please charge the battery for 24 hours before the first use.

Charging/battery level indicator LED	Description
Turned off	Unable to charge PDA / The battery is not properly inserted into the cradle or the power is off/ The power of the charger or cradle is disconnected.
Red light is on	Charging
Red light flashes	Charging error – Ambient temperature is too low or too high. Poor contact between the battery and the charging terminals due to foreign materials, etc.
Yellow light is on	Charging is complete

Select Wireless Manager

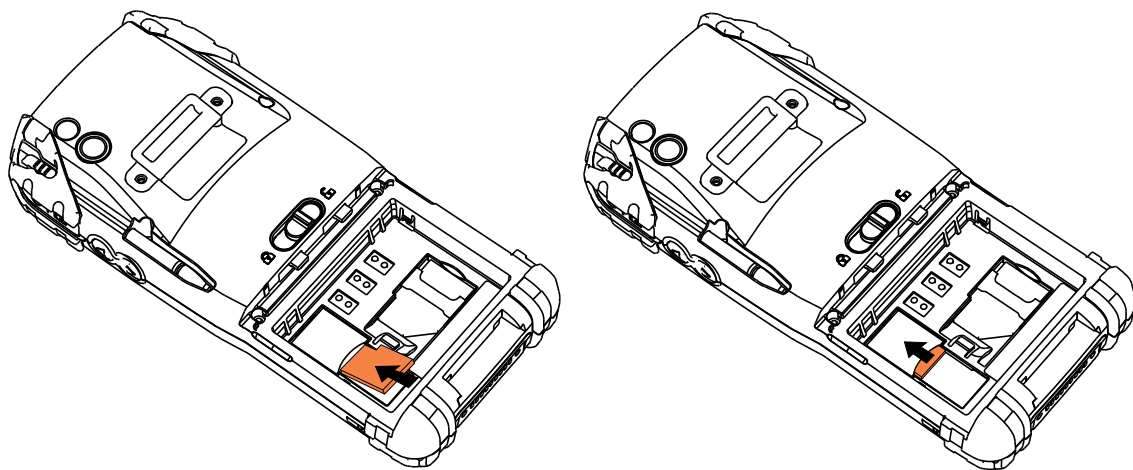


Note: Wireless Connectivity option may differ depending on the configuration.

Wireless Manager Window.

MicroSD (Micro Secure Digital) card

Installing MicroSD.



Removing MicroSD is in the reverse order.

Adjusting the hand strap

Adjust the hand strap for the convenient use of the device for a long period of time.

1. Connect the hand strap to the end of the device beneath the battery cover.
2. Adjust the length of the hand strap by passing the Velcro through the hole.
3. Press both sides of the strap together to get fixed.

Removing the screen protection cover

The screen protective cover is installed at factory before shipment in order to minimize scratching, which may occur during shipment.

Remove the screen protective cover before use. After removing it, attach protective film to the screen immediately.

Resetting NAUTIZ X3

There are two kinds of resets: Soft reset and hard reset. A soft reset will restart the NAUTIZ X3 after closing all running programs. A hard reset restarts the NAUTIZ X3 along with resetting the clock. The data stored in flash memory or storage card will remain. If the NAUTIZ X3 is not working properly, perform a soft reset first. If the problem persists, perform a hard reset.

How to perform a soft reset

Press the reset button at the front of the device with a stylus. (Reset button)

How to perform a hard reset

Press the reset button at the front of the device with a stylus pen while pressing the power button at the front. (Power button + reset button)

Sleep Mode and Backlight Functions

How to enter Sleep Mode

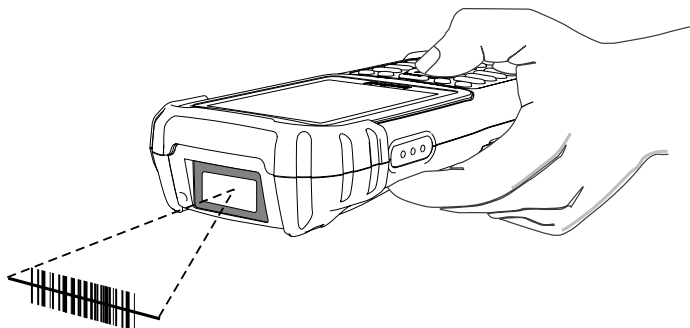
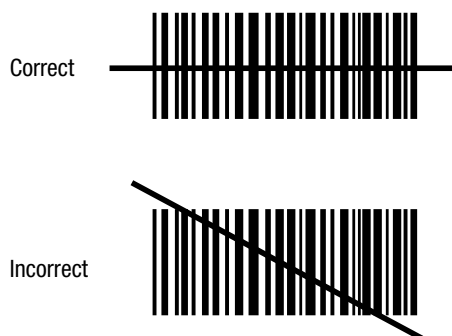
The unit will by default go to sleep mode after 1 minute unless changed under Start-Settings-System-Backlight.

To change settings for sleep mode manually:

1. Go to Start-Settings-System-Sleep Mode Selector
2. Enabling Long Press will add the option of forcing the unit into sleep mode by pressing and holding the button pressed down for a few seconds.
3. Enabling Short Press will remove all sleep mode functions but a short press on the power button will turn off the display but still have all modules running in the background.

Scanning barcodes

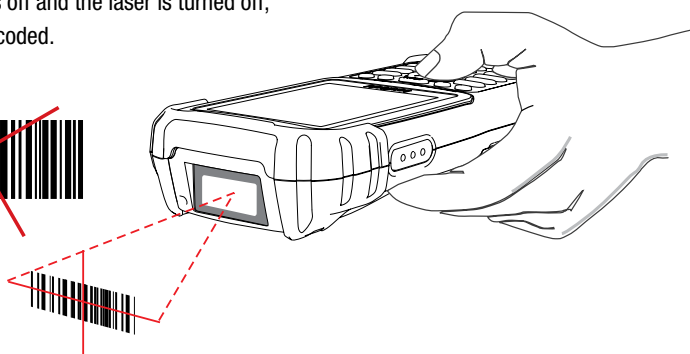
1. Open the application Notes in the NAUTIZ X3.
2. The laser beam comes out of the end of NAUTIZ X3, whilst the scan button is held. The red scan beam should cover the entire barcode. The laser beam indicates that scanning is in progress. If an alarm goes off and the laser is turned off, this will indicate that the barcode was successfully decoded.



3. Release the scan button.

Image scanning

1. Open the application Notes in the NAUTIZ X3.
2. Holding the scanning button turns on the aiming pattern which helps to point at a target. Move the aiming pattern to the centre of a barcode area. The laser beam indicates that scanning is in progress. If an alarm goes off and the laser is turned off, this will indicate that the barcode was successfully decoded.



3. Release the scan button.
4. Settings can be found in the Barcode Admin application. Password for Admin is 23646.

Using the phone

Overview

With the NAUTIZ X3, a user can make a call, save contacts, manage phone call records, send text messages, save received messages, etc.

Using the phone application

Regardless of running programs, a user can use the phone application anytime he wants. In order to use the phone application, choose Start > Phone or just tap the green button on the keypad of the NAUTIZ X3.

Using the Phone

Making a phone call using the phone program

1. Choose Tap Start > Phone or Tap the green Talk key on the keypad of the NAUTIZ X3.
 2. Type in the number that you wish to call
 3. Press Send or the green Talk key on the keypad of the NAUTIZ X3.
 4. To terminate a call, press End or tap the red End key on the NAUTIZ X3 keypad.
- ✓ When incorrect keys are pressed, erase the numbers by tapping the Delete key one by one.

Text message

You can send or receive text messages using the Text Message features.

Viewing text messages

Even if you are in the middle of a phone call, you can check your text messages. You will be notified by the New Text Message Notification window when you have a new text message.



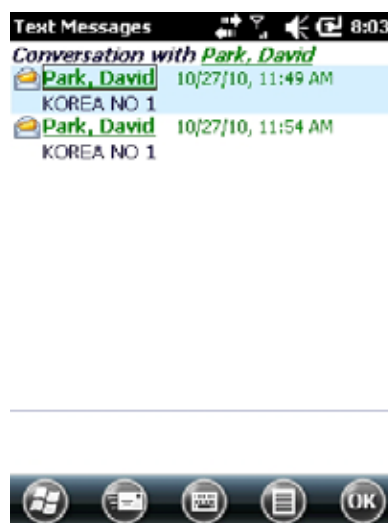
Notification of new text message

On the New Text Message screen, you can make a call and save, read or delete messages. If you are subscribed to the Caller's Number Identification Service, you can identify the caller by comparing the number with the information saved on Contacts.

Even if the phone is disabled, you can still read received text messages.

1. Tap Start > Text Message.
2. The Text Message window will appear.
3. Tap a text message in the message list.

NOTE: When the phone is turned off, you have to turn it on to make a call or to send a new message.



Sending text messages

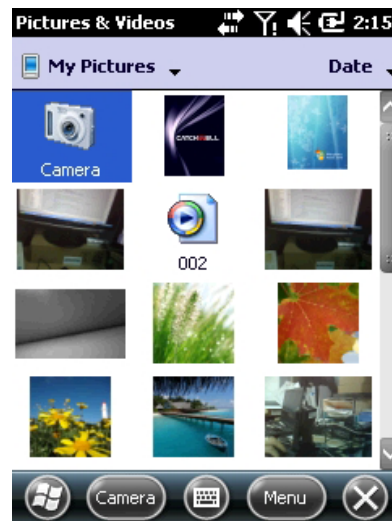
1. Tap Start > Text Message
2. Tap Create New Text Message
 - You can check the size of the message you are writing via the character counter.
 - If you want to know whether the receiver has received your message, choose Message Transmission Check Request after tapping Menu > Message Option.
3. You can enter the receiver's number into the receiver's number column or enter the number by searching for the number from Contacts after tapping Menu > Add Receivers...
4. Enter a message into the message area.
5. When completed, tap Send button.

Viewing pictures and videos

1. Tap Start > Pictures and Videos icon
2. Choose pictures or video clips you want to view.

Taking a picture

1. Tap Start > Pictures and Videos icon.
2. Choose Camera on the navigation bar.
3. Check the image in the view finder, and, if necessary, adjust settings.
4. Press Enter key to take a picture.



Video recording

1. Tap Start > Pictures and Videos icon
2. Tap camera icon on the navigation bar
3. Choose Menu > Videos to set the shooting mode to video.

Available recording time will be displayed on the screen.

NOTE: The default video recording time is limited to 30 seconds.

4. Start recording by tapping Enter key
Stop recording by tapping Enter key again

Setting the GPS on the NAUTIZ X3

Before use the GPS, please turn on the GPS function from Start > Settings > System > GPS Power.

The basic features of the External GPS are as follows:

1. Choose Start > Settings > System > External GPS.
2. Set GPS program port to COM9 or (NONE) from the program tab.
3. Set GPS hardware port to COM4 from the hardware tab.
4. Set baud rate to 115 200 from the hardware tab.

Several programs can access GPS data simultaneously.

Each program must access GPS data using Microsoft GPS API or COM4.

NOTE: For more details, please refer to the User Manual of the NAUTIZ X3.

